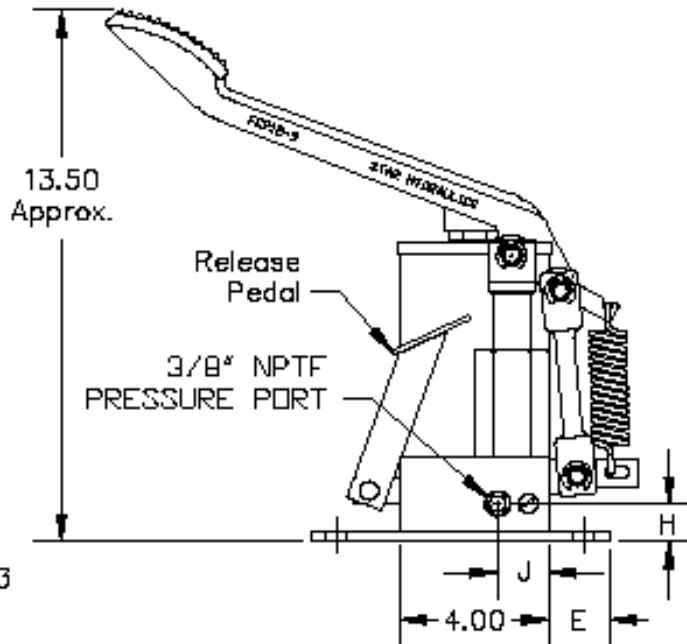
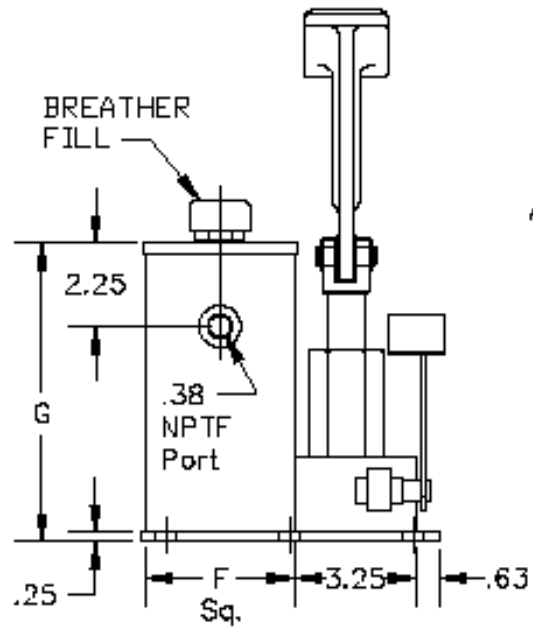


	Standard Reservoirs		
Volume in Cu. In.	80	160	250
A	8	8	10
B	3.31	3.31	4.31
C	6.63	6.63	7.63
D	8	8	9.00
E	1.63	1.63	2.50
F	4	4	6.00
G	9.50	15.50	11.25



Star Hydraulic, LLC  
 Model FP-AC  
 Hydraulic Foot Pump  
 with reservoirs.

See chart on model  
 description page for  
 pressure ratings and  
 lever forces.